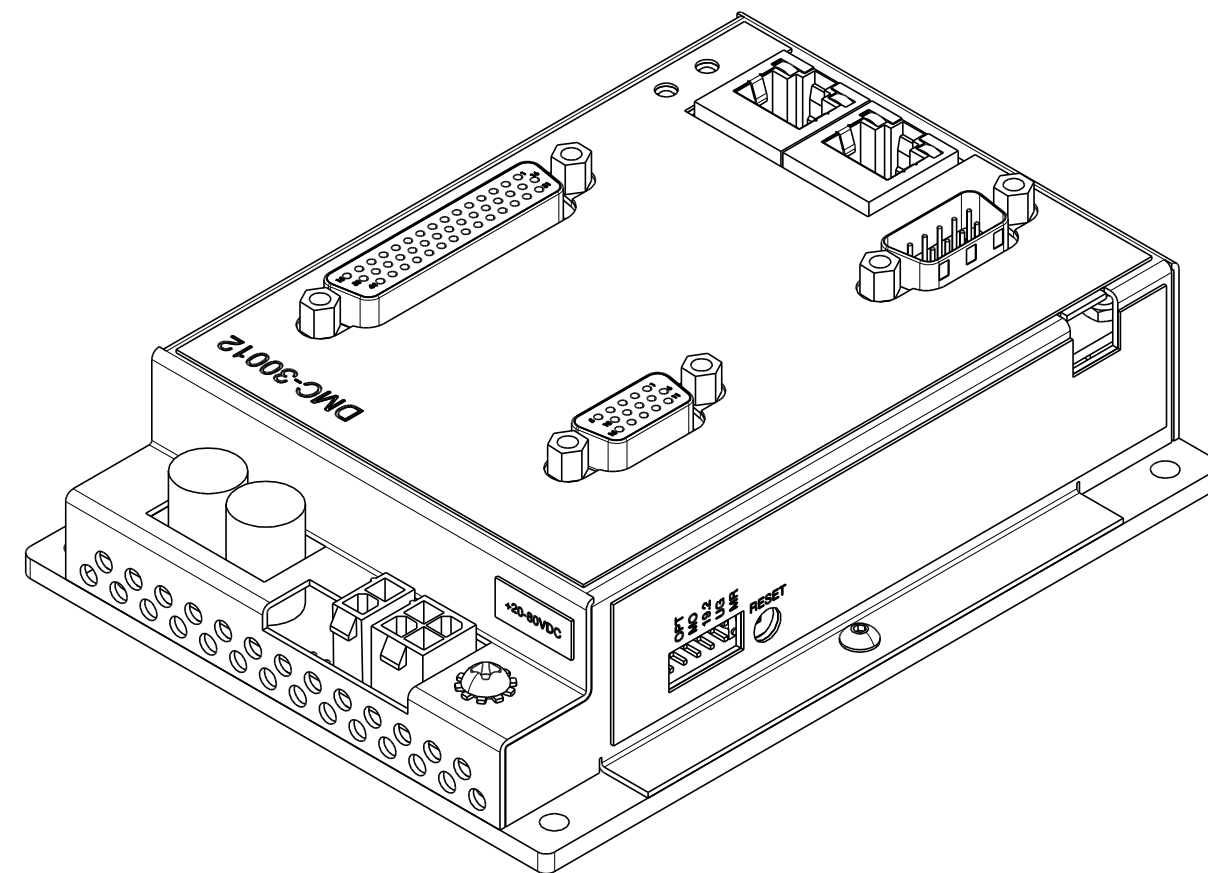
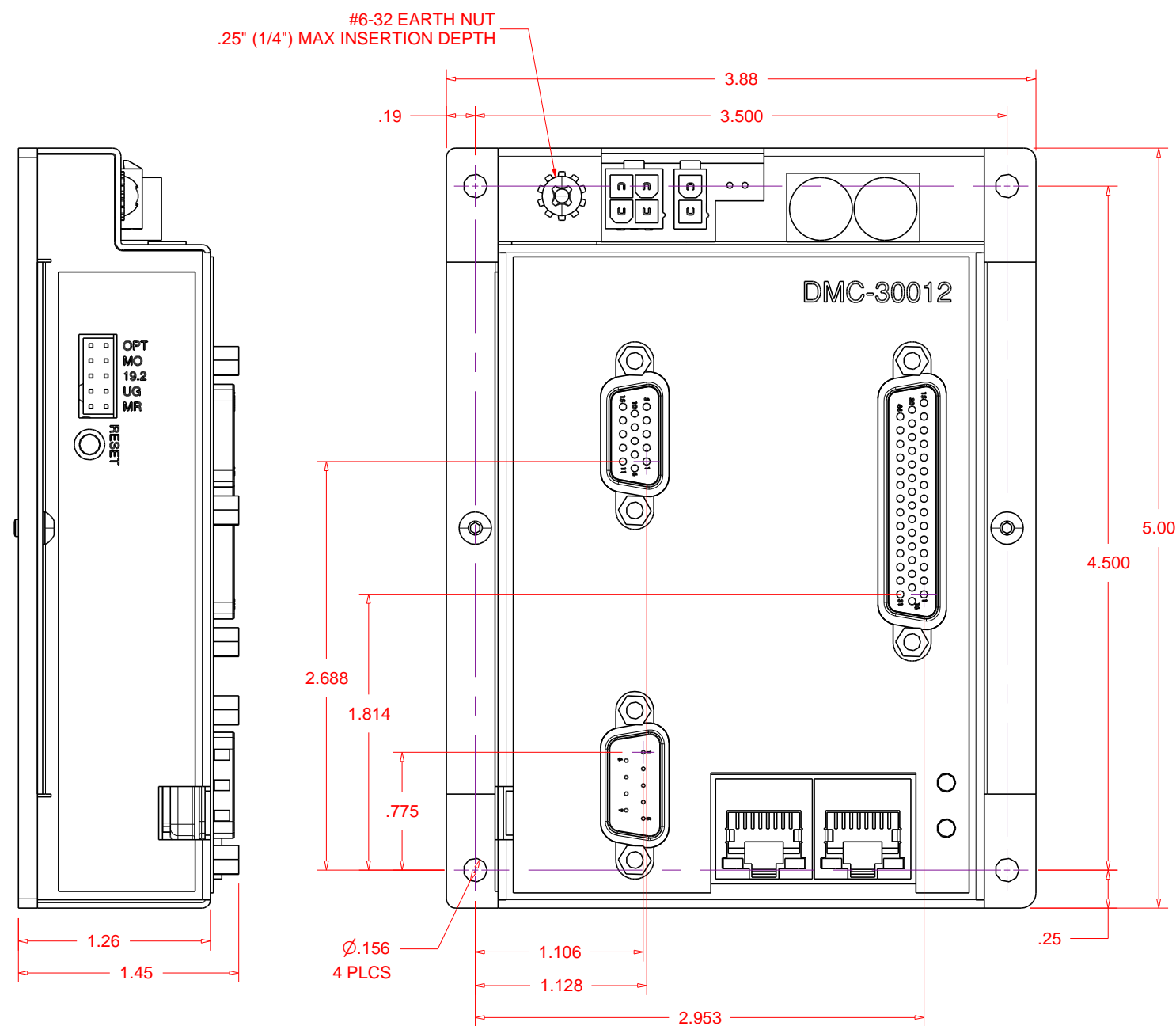



REV	DESCRIPTION	DATE
01	INITIAL RELEASE	09/30/11
.	.	.
.	.	.



UNLESS OTHERWISE SPECIFIED: DIMENSIONS ARE IN INCHES		GALIL MOTION CONTROL 270 TECHNOLOGY WAY ROCKLIN, CA 95765 (916) 626-0101		
TOLERANCES ARE: .XX ± .025 .XXX ± .010				
MATERIAL:	N/A	TITLE DIMENSIONS		
FINISH:	N/A	PART NUMBER DMC-30012	REV 01	
		SCALE: 1=1	SHEET: 1 OF 1	