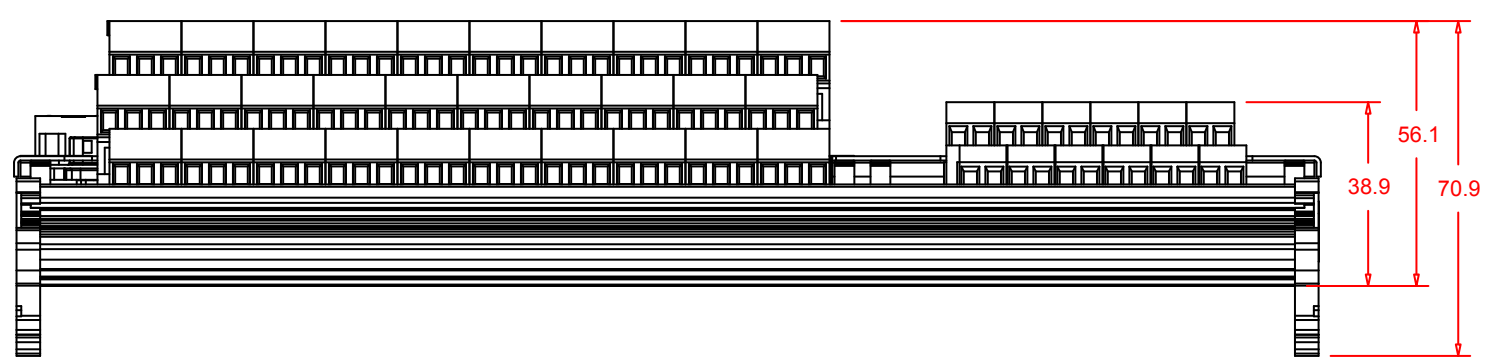
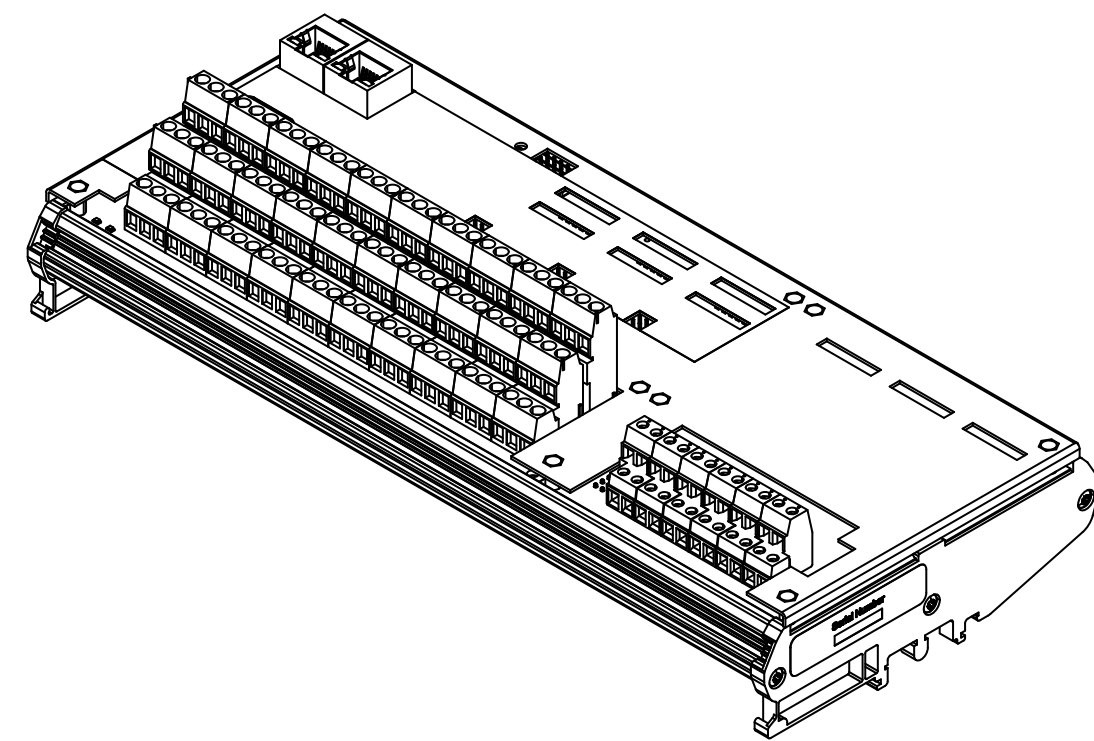
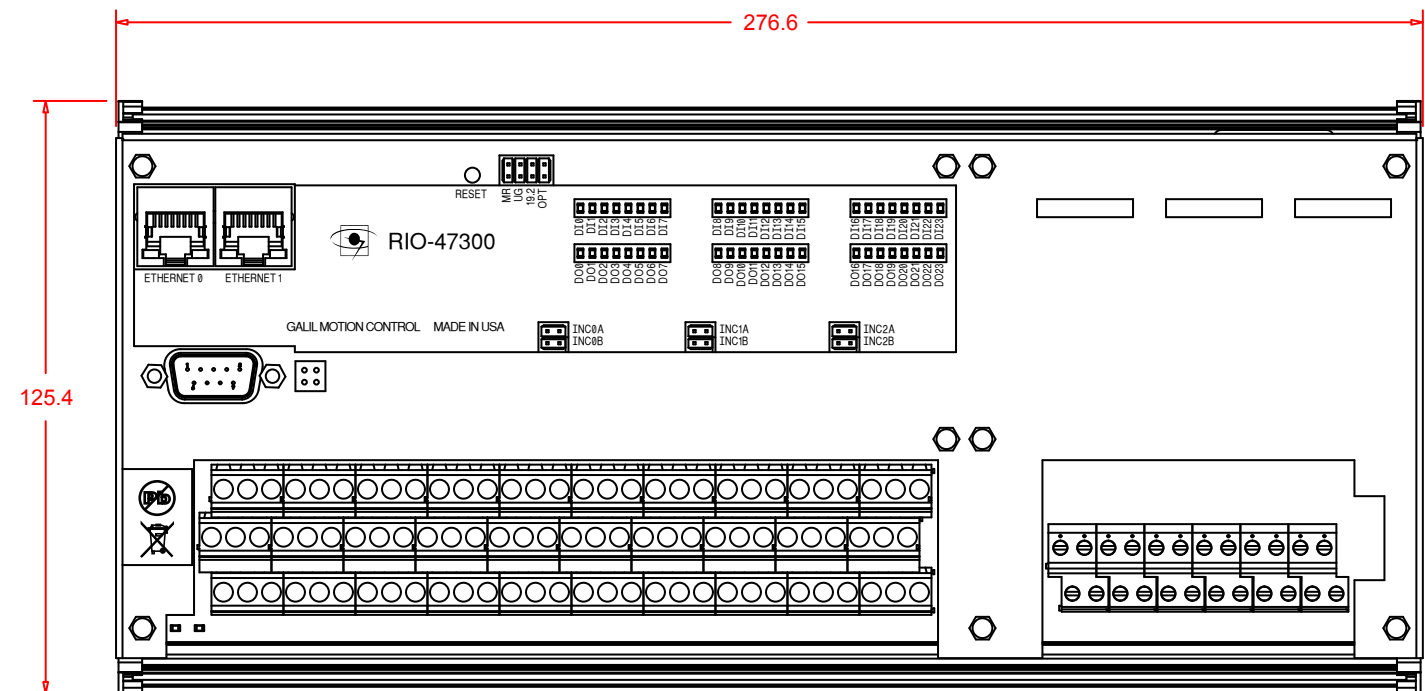



REV	DESCRIPTION	DATE
01	INITIAL RELEASE	01/13/14
.	.	.
.	.	.



UNLESS OTHERWISE SPECIFIED: DIMENSIONS ARE IN MM		GALIL MOTION CONTROL		
TOLERANCES ARE: .X ±0.5 .XX ±0.25		270 TECHNOLOGY WAY ROCKLIN, CA 95765 (916) 626-0101		
MATERIAL:	N/A	TITLE <b>DIMENSIONS</b>		
FINISH:	N/A	PART NUMBER	RIO-47300-SER	REV <b>01</b>
		SCALE: 5 = 8		SHEET: 1 OF 1